

Card-Based

Access Control System

Access Control System SYSTEMX 8700 & HID CARD READER

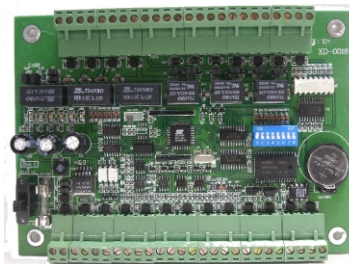


Prolog Systems Limited brings the true Access Control System of SystemX. It is a comprehensive Microsoft Windows based system for security and access control. The 8700 series controller makes decision by controller locally with up to 60,000 cardholders or transactions. It supports up to 2 to 4 readers communicates SystemX workstation with industrial standard RS 485 bus, allow flexible efficient system configuration.

8700 Series controller supports individually or common power supply for PCB & electric device. The on board on/off switch and fused protects the circuitry in a safe condition. LEDs represents online communication status. It's built in high security door emergency open device, couple with random key switch and reset panel for complete and safe security installation requirement.

FEATURES of the SystemX

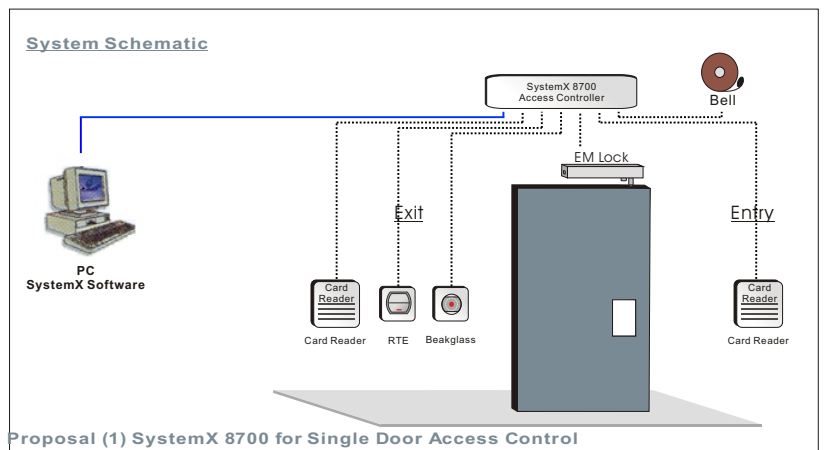
- >> Support Multi Reader formats
- >> 60,000 cardholders and transactions storage
- >> RS 232 / RS 485 Network Connection
- >> Optional modem or Ethernet module
- >> Standalone and network door control
- >> Alarm, Door operation & monitoring
- >> On board on/off switch, fused & thumbed protection
- >> Firmware ungradable
- >> Multi password type for cardholder
- >> Request for exit
- >> Input of Door Sensor & Tamper switch
- >> Output of Electric Lock, Alarm, Door Ajar
- >> Multi user definable time zones
- >> Holiday Date configuration
- >> Anti-pass back Entry/ Exit function
- >> Status LED Display



SystemX 8700 Access Controller



Card Reader



Address : Unit D, 12/F., Candy Novelty House,
164 Wai Yip Street, Kwun Tong, H.K.
Tel. : (852) 2508 0272
Fax. : (852) 2508 0372
E-mail : info@prolog.com.hk
URL : www.prolog.com.hk



普洛系統有限公司
PROLOG SYSTEMS LIMITED

System Schematic

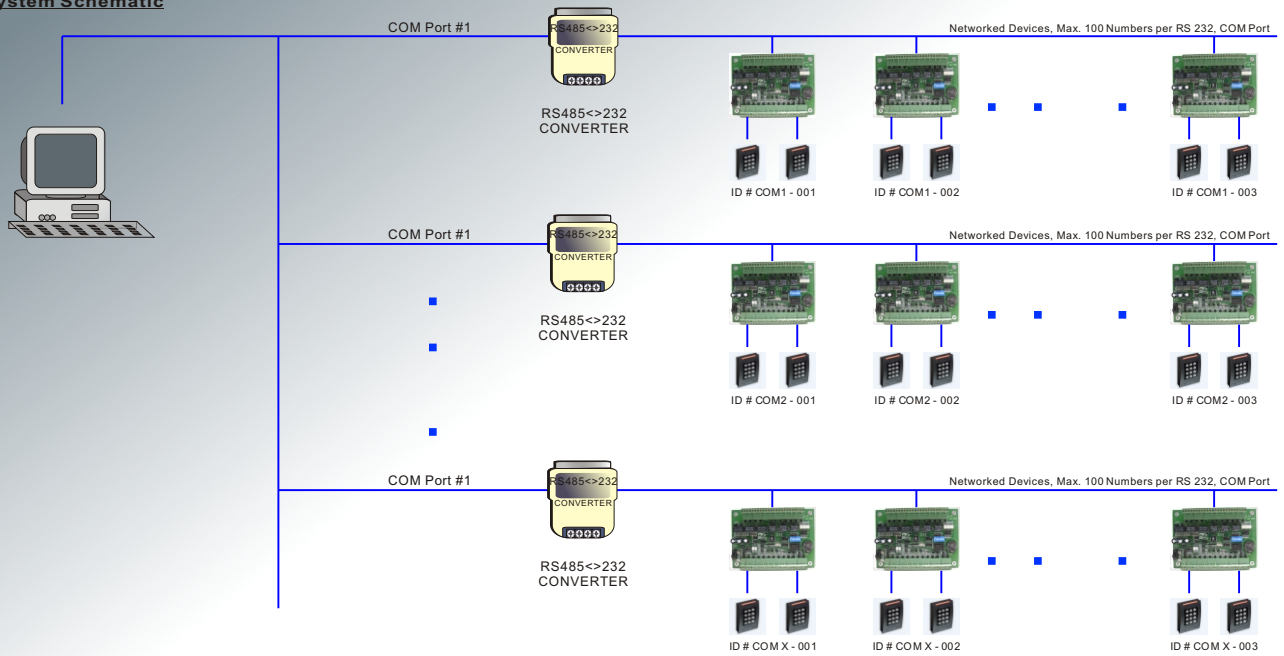


Fig. (1) System Schematic for 8701 Controller collected a Workstation with multi COM Ports.

SPECIFICATIONS

Model Number	SystemX - 8700	
Input	Door Sensor Request to Exit Panel Tamper High Security Input Device	
Output	Electric Lock Alarm Door Ajar Controller Acknowledge	(NO. /NC Selectable) (NO. /NC Selectable) (NO. /NC Selectable)
Reader	IN & OUT Wiegand Reader RS-485 Proprietary Reader	
Data Communication	RS-232 Direct Connect to PC or Modem RS-485 Controller to Controller & Controller to PC Max. 100 nos. of 8700 series Controller in a Link (Depend on the maximum of COM port supported by Windows OS)	
Memory	Up to 60,000 Transactions/ Card Holders Records 100 Abnormal Door Open Transactions 300 Expiry Card Records	
Time Zone	12 Access Control Time Zone, - Mon to Sun, Holiday - Password Time Zone - Electrical Lock Time Zone - Alarm Time Zone - Door Ajar Time Zone - Request to Exit Time Zone	(4 Intervals Daily) (2 Intervals Daily) (2 Intervals Daily) (2 Intervals Daily) (2 Intervals Daily) (2 Intervals Daily)
Holiday Date	30 Holiday Dates	
Anti-pass Back	Yes	
Password	Individual Card Holder Password Global Password Anti-duress Password (Trigger Alarm)	
Status LED	Yes	
Firmware Upgrade	Yes	
Backup Battery	Built-in Battery for Memory Backup (External Charger and Battery needed for Power Backup)	

Environment & Electrical

Operating Temperature	0 deg C to 65 deg C
Operating Humidity	0 to 95 % RH
Individual Power On/Off Switch	Yes
Fused Protection	Yes
Thumb Protection	Yes
Power Requirement	12-15VDC, 1A
Electrical Lock Power Requirement	12-15VDC, 2-3A (Depends on Lock Specification)

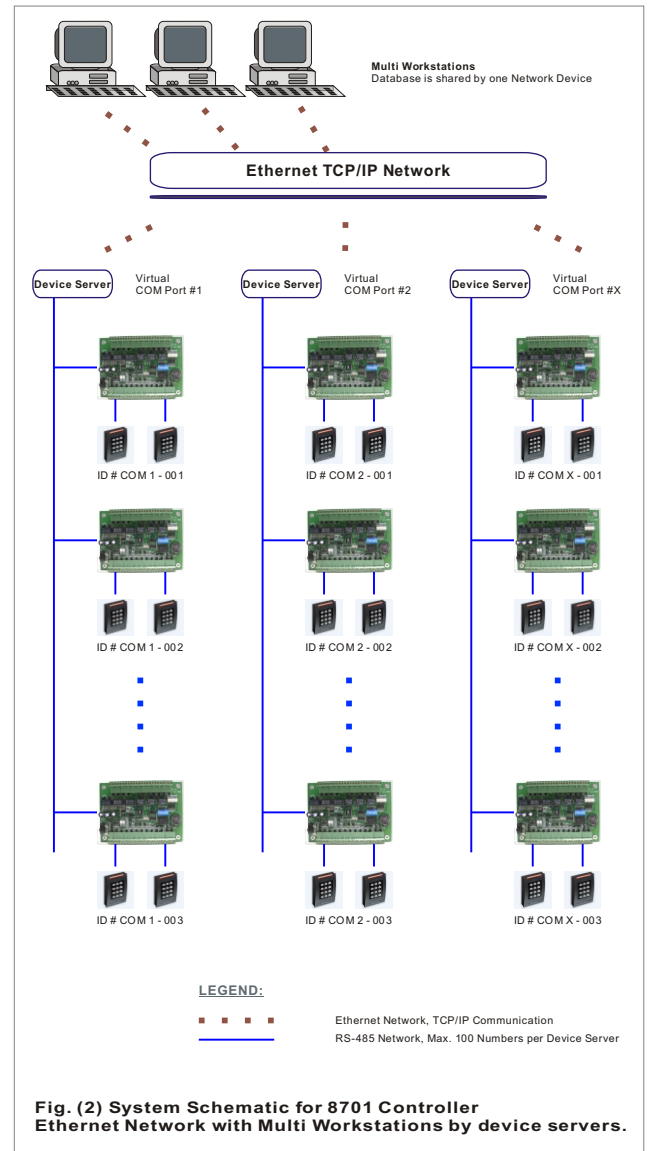


Fig. (2) System Schematic for 8701 Controller Ethernet Network with Multi Workstations by device servers.

Address : Unit D, 12/F., Candy Novelty House,
164 Wai Yip Street, Kwun Tong, H.K.
Tel. : (852) 2508 0272
Fax. : (852) 2508 0372
E-mail : info@prolog.com.hk
URL : www.prolog.com.hk



普洛系統有限公司
PROLOG SYSTEMS LIMITED